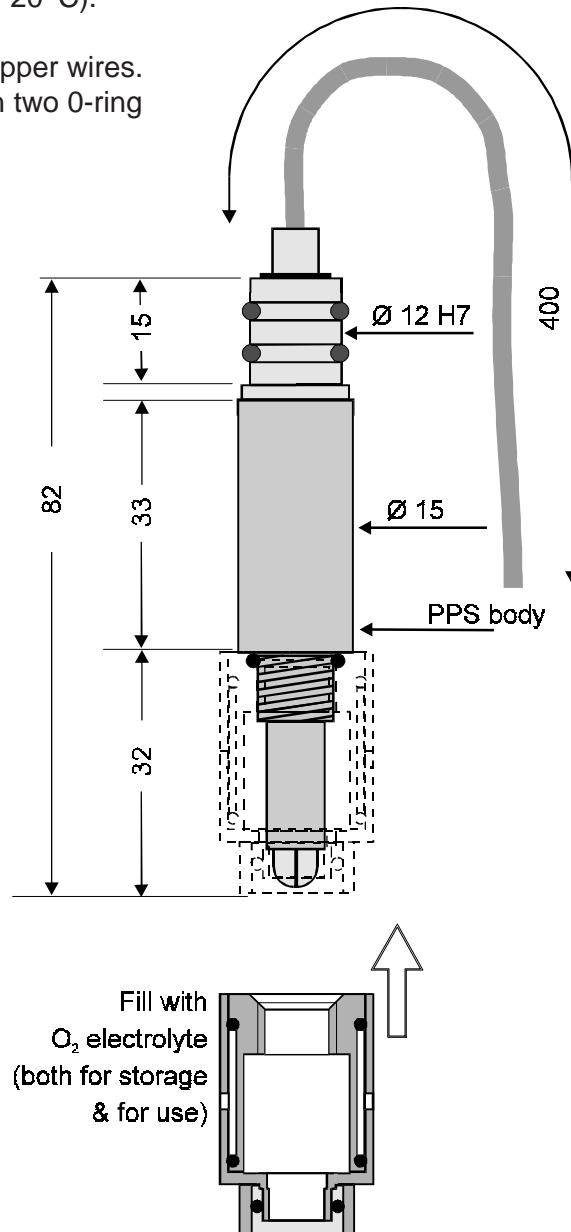


Polarographic sensor, with replaceable cap for membrane support, pressure compensated. Negligible stirring effect, pump is not needed.

Technical specifications:

Type: polarographic sensor with platinum-iridium cathode and silver anode (99.99%).
 Output current: typical 60 +/- 15 nA in air @ 20° C (green membrane).
 Zero output current: less than 50 pA, with nitrogen.
 Polarization voltage: 650 mV DC.
 Range: 0 .. 50 ppm O₂.
 Drift: 5%/month typical.
 Response time: 3 s (green membrane @ 20° C).
 Operating pressure: 150 bar.
 Output connections: two 0.4 mm insulated copper wires.
 Mounting: through 12mm hole with two O-ring seals (Parker 2-12).
 Weight: 30 gr.
 Body: black plastic (PPS).



NOTE: Dimensions are in millimeters.



I - 20047 Brugherio (MI) ITALY
 Via Monte Amiata, 10
 Tel: +39 039 883832 Fax +39 039 883382
 e-mail: idronaut@idronaut.it
<http://www.idronaut.it>

**DISSOLVED OXYGEN SENSOR
 (150 bar)**

Issue: May 1983

Revision: March 1996