

Design of Shibboleth-based Authorization in C3-Grid

Siegfried Makedanz



Computer Center
Alfred-Wegener-Institut



givenname.lastname [at] awi.de

- Use Case
 - Portal-based data access
 - Initially for C3-Grid
 - Eventually for Earth Science Community

- Grid middleware: Globus TK 4
- AAI: Shibboleth
- Portal: GridSphere
 - With Shibboleth Plugin
- GridShib
 - SAML Tools at the portal
 - GridShib for GT at the resources

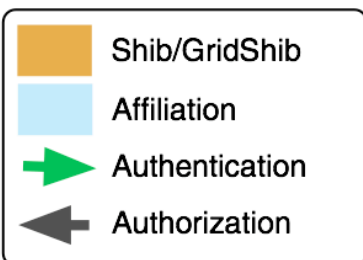
- Step 1 (April 2007)
 - Participating C3 partners set Shib IdP up
- Step 2 (June 2007)
 - „Shibbolized“ GridSphere
 - Portal-based trust
 - Simple VO management
- Step 3 (December 2007)
 - GridShib „Science Gateway“
 - Access control at the resource providers
- Step 4 (April 2008)
 - „Real“ VO management based on IVOM findings

- Set-up of Shibboleth IdPs at the participating C3 partners
 - Federation membership in DEMOaar, DFN-AAI
- AWI provides simple test SP

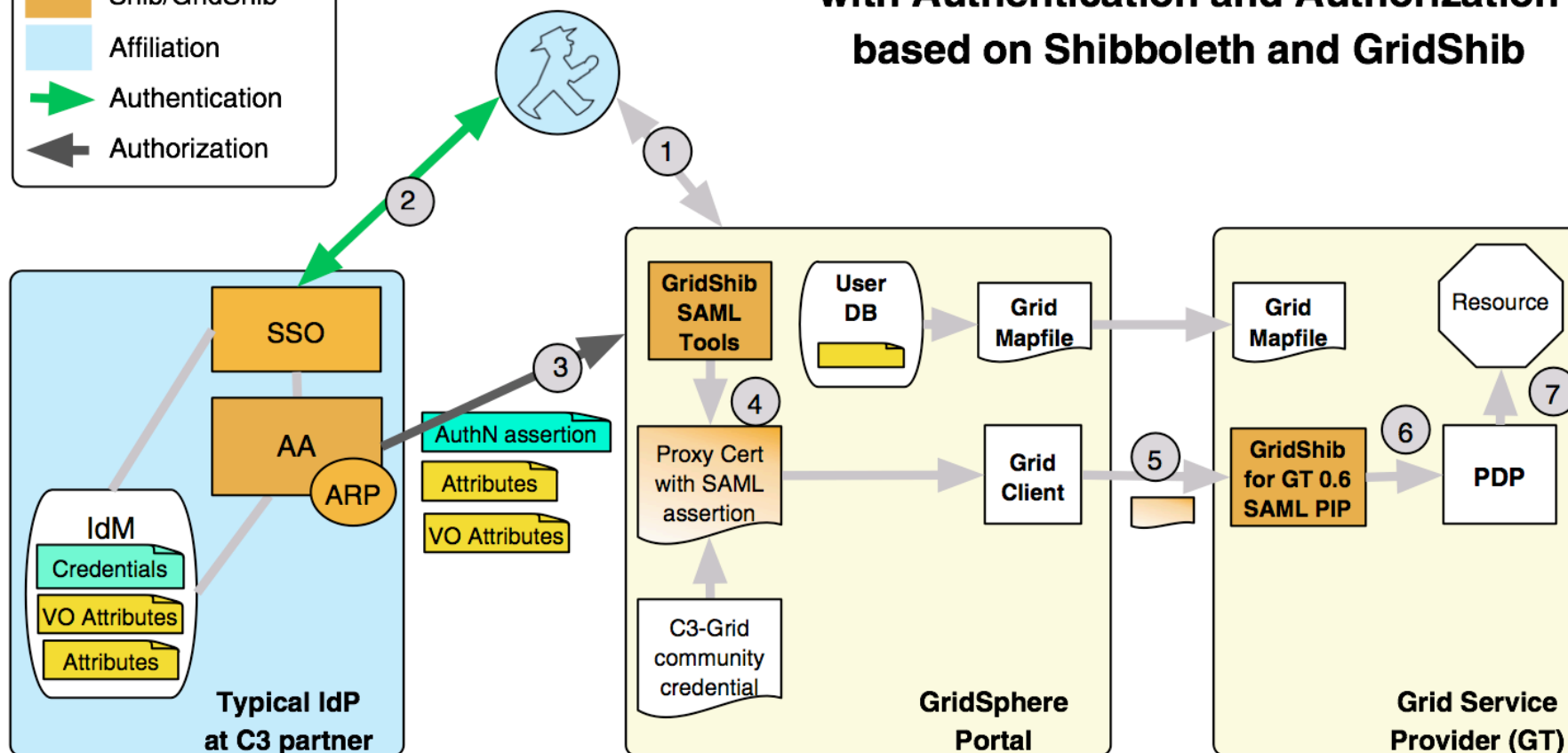
- Integration of Shibboleth-based authentication and authorization at the Portal (GridSphere)
- Simple VO management
 - Distributed at the IdPs
 - eduPersonEntitlement: c3-member
- Resource providers trust the Portal
- Mapping on a **single** C3 user at the providers
- Required component:
„Shib-enabled“ GridSphere

- Integration of GridShib solution for TeraGrid Science Gateways
- GridShib SAML Tools
 - Binding of SAML assertions into X.509 proxy certificates
- GridShib for GT
 - SAML PIP for Globus Toolkit
 - For Globus 4.0.x and above
- Roadmaps C3 and GridShib „match“

Federation

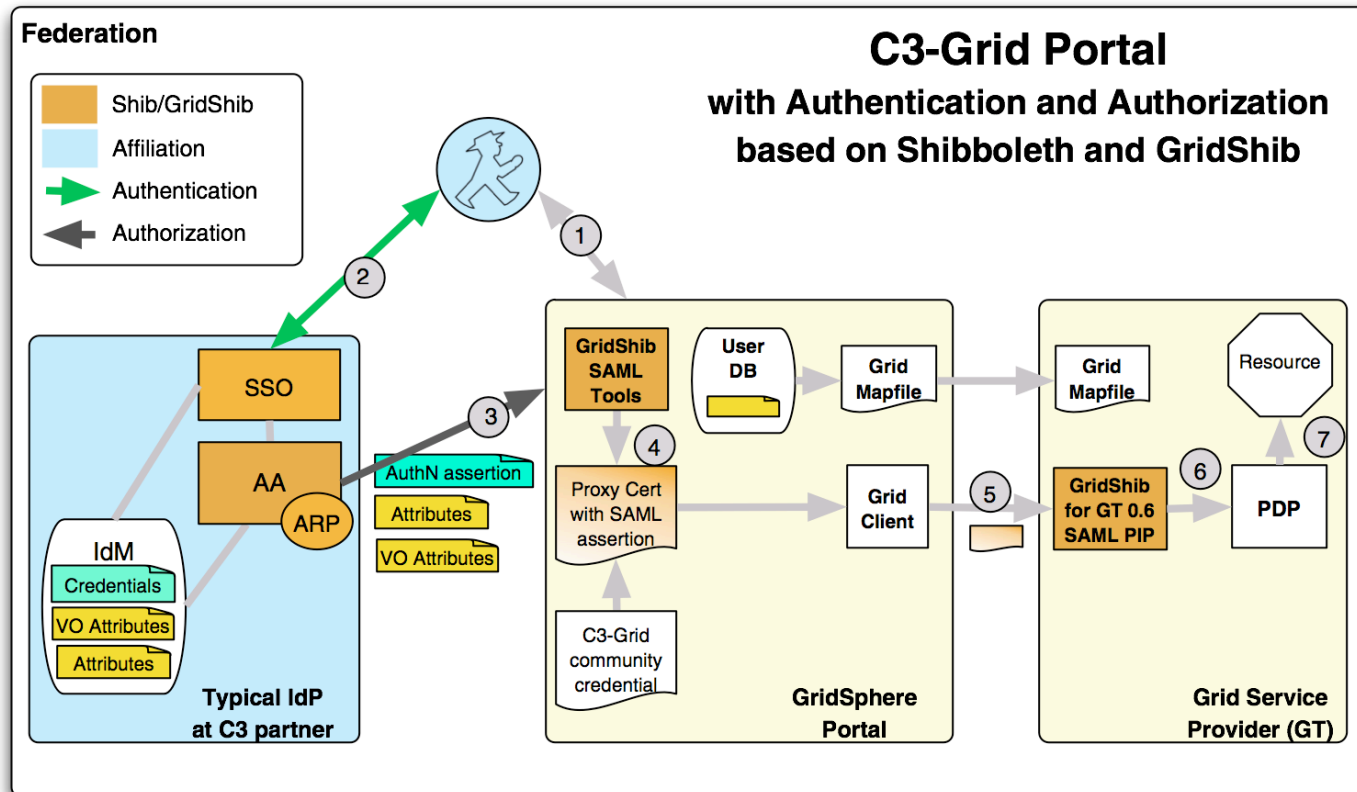


C3-Grid Portal with Authentication and Authorization based on Shibboleth and GridShib



- „Real“ VO management system
 - VO self-administration
 - Sub-VOs
- Will be based on findings of IVOM project
 - IVOM: „Interoperability and Integration of VO Management Technologies in D-Grid“

- Shibboleth: <http://shibboleth.internet2.edu/>
- eduPerson: <http://www.educause.edu/eduperson/>
- GridShib: <http://gridshib.globus.org/>
- GridShib Roadmap:
http://dev.globus.org/wiki/GridShib_Development_Roadmap
- GridShib Science Gateway:
<https://spaces.internet2.edu/display/GS/TeraGrid> und
<https://spaces.internet2.edu/display/GS/NanoHUBTestbed>
- DEMOaar Federation: <http://aar.vascoda.de/test/demo.php>
- IVOM: <http://dgi.d-grid.de/index.php?id=314>
- C3-Grid: <http://www.c3-grid.de/>



AWI 2007

- Thanks!
- Questions?